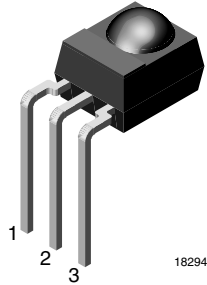


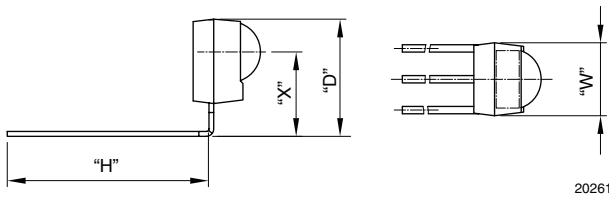
# IR Receiver Modules for Remote Control Systems


**FEATURES**

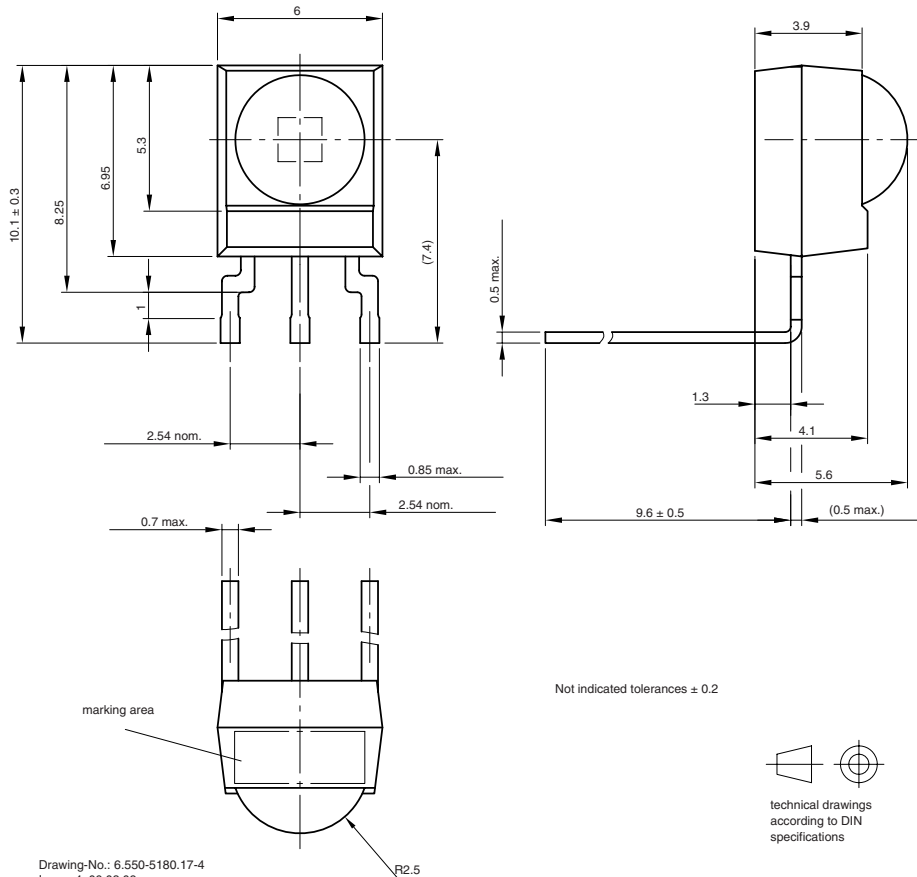
- Compliant to RoHS directive 2002/95/EC and in accordance to WEEE 2002/96/EC


**AVAILABLE FOR:**

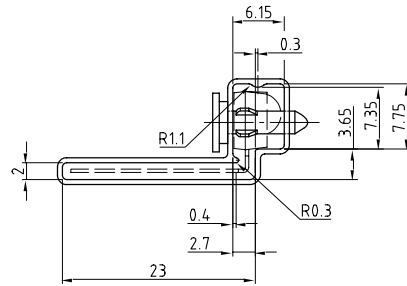
- TSOP34...
- TSOP4....
- TSOP32...
- TSOP2....


**RoHS**  
COMPLIANT


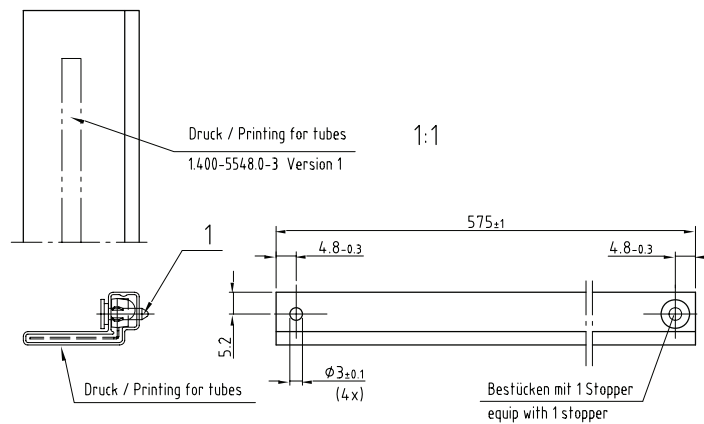
NAME	LENS AXIS (X)	VIEW	TYPE	HEIGHT (H)	WIDTH (W)	DEPTH (D)
SO1	7.4		Bend	9.6	6	10.1

**MECHANICAL DIMENSIONS** in millimeters


**PACKAGING DIMENSIONS** in millimeters

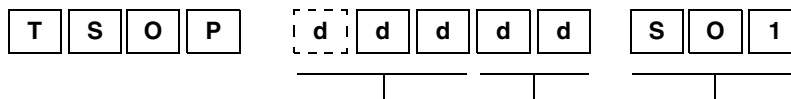


Wanddicke/wall thickness: 0.6  $\pm$ 0.1  
 Geradheit/Straightness 2  
 Schnittwinkel/cut 90° ±1°  
 Innenradien/inner radii max 0.5  
 Geprüft nach/approved to: LV 5145



Drawing-No.: 9.700-5206.0-4  
 Rev. 13; Date: 09.06.06  
 20251

**ORDERING INFORMATION**



2 or 3 digit product series    2 digit frequency    Holder type

**Note**

d = "digit", please consult the list of available series on the previous page to create a valid part number.

**Example: TSOP14838SO1**

**PACKING QUANTITY**

- 90 pieces per tube
- 24 tubes per carton